



USB Gateway

Technical Overview

General Description

The SenseitLinkTM USB gateway allows your Senseit Wireless Sensors to communicate with the iSenseitTM online wireless sensor monitoring and notification system. Simply install the USB driver and plug the device into an available USB port on a Microsoft Windows PC.

If the PC has an active internet connection and you wish to use it with the iSenseit online software, install the Senseit Gateway application to pass sensor data to the online system.

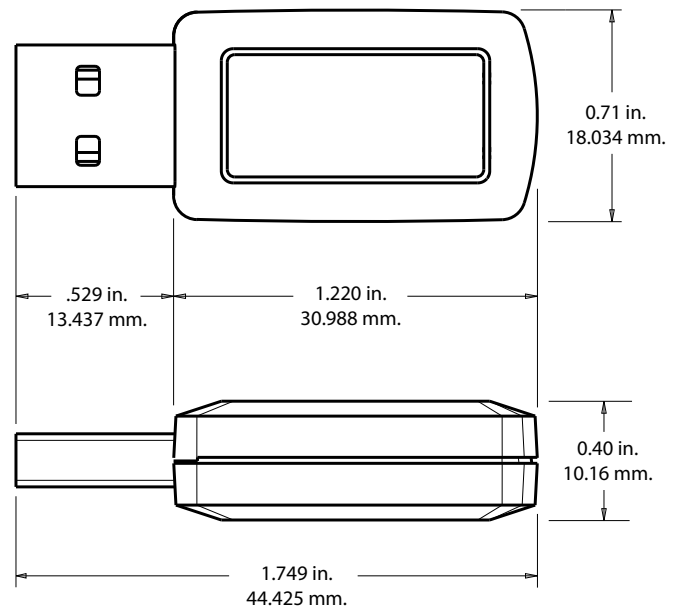
With the online iSenseit software, you can easily configure your network, view collected sensor data and set alarms through SMS or e-mail, all from any web enabled browser. The system allows for complete configuration and customization at a sensor, local network, or client wide level.

Senseit's USB gateway is specifically designed to respond to the increasing market need for global technology that accommodates a variety of vertical M2M application segments and remote wireless sensor management solutions.

The gateway is available in global frequencies of 900MHz. Enjoy reliable, low cost, wire-less monitoring of your facilities or specific applications, with Senseit wireless sensor networks.

SenseitLinkTM USB Gateway Features

- Supports multiple RF technologies including 900MHz sensor solutions.
- Uses host PC for power.
- Used with iSenseit.com.
- Programmable heart-beat control.
- Supports up to 100 wireless sensors per USB.
- Windows 8, 7, and Vista compatible.



Applications

- Commercial Facilities Monitoring
- Industrial Facilities Monitoring
- Property Management
- Data Center Monitoring
- Convenience Store Monitoring

Senseit USB Gateway Specifications

USB

Type:	USB 2.0 Full Speed Bus Standard
Display Name:	Senseit USB Radio Gateway
Display Type:	SenseitApnClass
Version:	1.0.3.0
Software Compatible Platforms:	Microsoft Windows 8, Windows 7 or Windows Vista required. (Windows XP and older are not supported.)
Bus Reported Device Description:	M+ LINK
Memory Capacity:	40,000 messages

Power

Power	Powered through USB output of PC
Maximum Power Required:	50 mA

Mechanical

Enclosure	ABS plastic
Dimensions	1.75 x 0.71 x 0.40 Inches
Weight	0.36 ounces

Environmental

Operating Temperature	-40 to +85 °C
Certifications:	   Industry Canada 900 MHz product; FCC ID: ZTL- RFUSB1 and IC: 9794A-RFUSB1.